



# 912-80x

Lv7 2018-r3

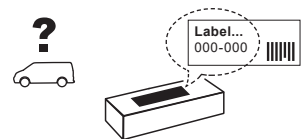
Modelo-model:

## Evo Rack Alu Module A45

Lote-Lot-Lot-Lot:



Peso-Weight-Poids-Gewicht:



**Max: 180 kg**



CEE - EEC type approval:



26 R- 03 3024



**CITY CRASH** (M)

CRUZBER SA  
ES-A14018311  
P.I. Las Salinas II  
14960 - Rute - Spain  
[www.cruzber.com](http://www.cruzber.com)

- |              |   |                    |
|--------------|---|--------------------|
| <b>(E)</b>   | <b>Instrucción de montaje</b><br>¡Leer primero!           | Portaequipajes     |
| <b>(GB)</b>  | <b>Assembly instructions</b><br>Read first!               | Roof racks         |
| <b>(F)</b>   | <b>Instruction de montage</b><br>Lire en premier!         | Galleries          |
| <b>(D)</b>   | <b>Montageanleitung</b><br>Zuerst lesen!                  | Dachgepäckträger   |
| <b>(PT)</b>  | <b>Instruções de montagem</b><br>Ler primeiro!            | Porta bagagens     |
| <b>(PL)</b>  | <b>Instrukcja montażu</b><br>Najpierw przeczytaj!         | Bagażnik dachowy   |
| <b>(CZ)</b>  | <b>Montážní návod</b><br>Čtěte pozorně!                   | Strešní nosiče     |
| <b>(HU)</b>  | <b>Szerelési Utasítás</b><br>Először olvassd el!          | Csomagtartó        |
| <b>(RO)</b>  | <b>Instructiuni de montaj</b><br>Intai cititi!            | Krovni nosač       |
| <b>(HR)</b>  | <b>Detaljne upute</b><br>Prvo pročitati!                  | Portbagaj          |
| <b>(GR)</b>  | <b>Διαβάστε προσεκτικά τις</b><br>Οδηγίες Συναρμολόγησης! | Μπάρες Οροφής      |
| <b>(TR)</b>  | <b>Öncelikle montaj:</b><br>Talimatlarını okuyunuz!       | Taşıyıcı sistem    |
| <b>(RU)</b>  | <b>Инструкции по монтажу</b><br>Сначала прочитайте!       | Багажники на крышу |
| <b>(I)</b>   | <b>Istruzioni di montaggio</b><br>Leggere per primo!      | Portabagagli       |
| <b>(NL)</b>  | <b>Montagehandleiding</b><br>Eerst lezen!                 | Imperiaal          |
| <b>(SLO)</b> | <b>Navodila za sestavljanje</b><br>Preberite!             | Strešne košare     |

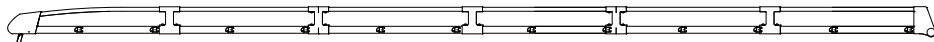


1.

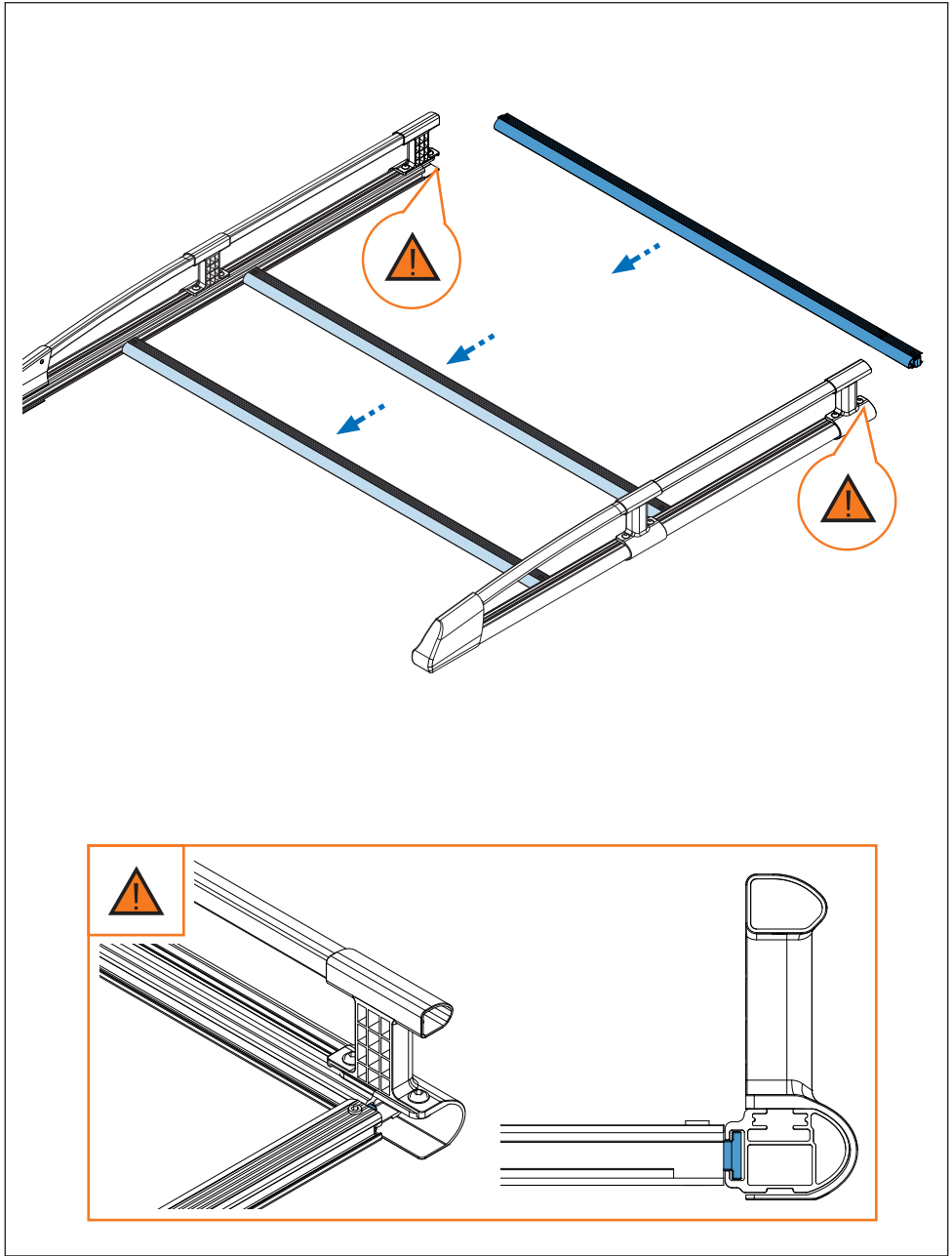


- |  |   |
|--|---|
| <b>(E)</b> Contenido embalaje: ¡Verificar! | <b>(RO)</b> Pachetul contine: Verificati!           |
| <b>(GB)</b> Package content: Check!        | <b>(HR)</b> Sadržaj paketa: Provjeri!               |
| <b>(F)</b> Contenu d'emballage: Vérifier!  | <b>(GR)</b> Ελέγξτε το περιεχόμενο: του πακέτου!    |
| <b>(D)</b> Packungsinhalt: Überprüfen!     | <b>(TR)</b> Paket içeriğini: Control ediniz!        |
| <b>(PT)</b> Contéudo embalagem: Verificar! | <b>(RU)</b> Содержание упаковки: Проверьте!         |
| <b>(PL)</b> Zawartość opakowania: sprawdź! | <b>(I)</b> Contenuto della confezione: Controllare! |
| <b>(CZ)</b> Obsah balení: Zkontrolujte!    | <b>(NL)</b> Pakket inhoud: Controleer!              |
| <b>(HU)</b> Csomag tartalma: Ellenőrizd!   | <b>(SLO)</b> Vsebina paketa: Preverite!             |

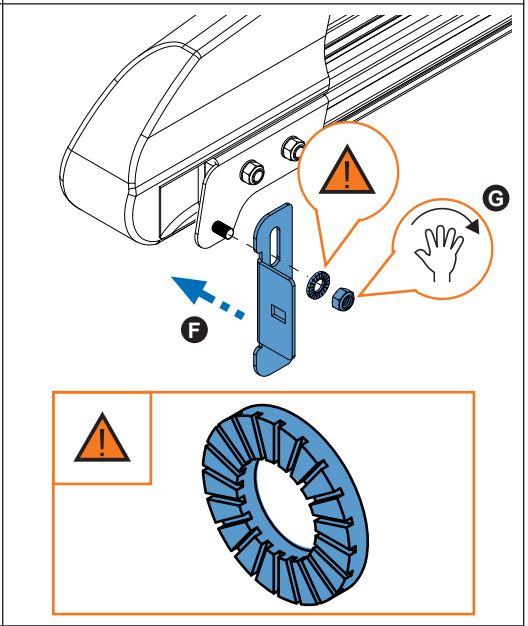
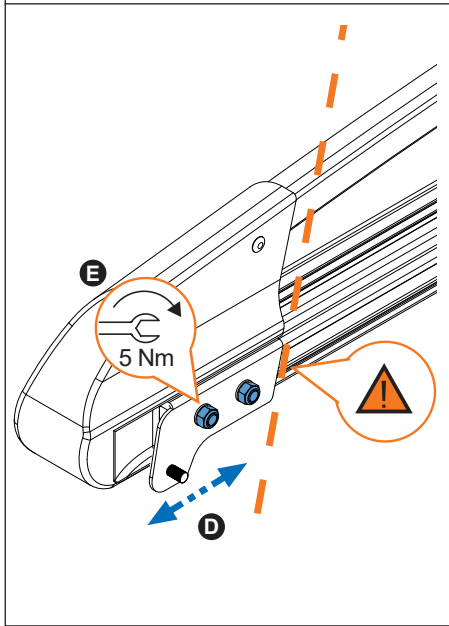
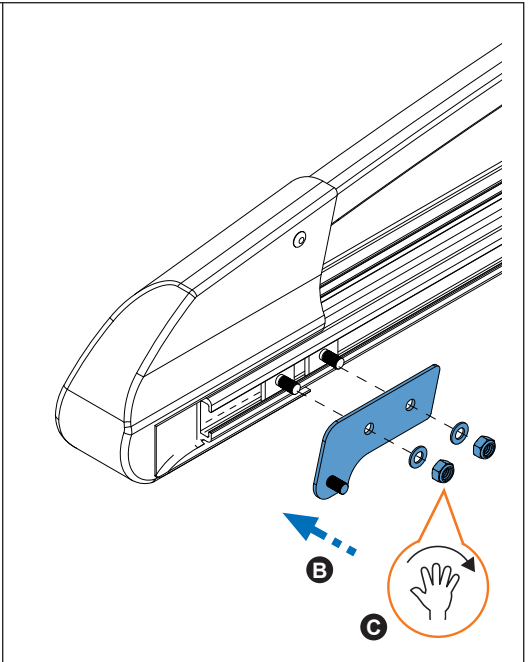
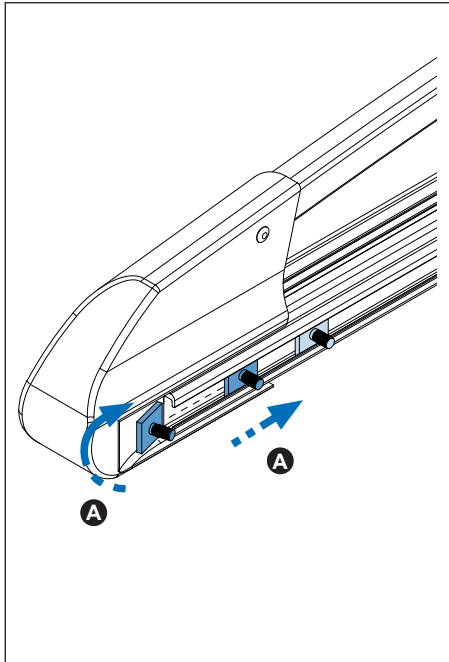
|                   | 912-802                                      | 912-803                                      | 912-804                                      |
|-------------------|--|--|--|
|                   | 1x (861-122)<br>1x (861-148)                 | 1x (861-122)<br>1x (861-148)                 | 1x (861-122)<br>1x (861-148)                 |
|                   | 1x (821-144)<br>140 cm                       | 1x (821-146)<br>158 cm                       | 1x (821-148)<br>170 cm                       |
|                   | 12x (827-464)<br>140 cm                      | 12x (827-466)<br>158 cm                      | 12x (827-468)<br>170 cm                      |
|                   | 1x (716-373)<br>140 cm                       | 1x (716-374)<br>158 cm                       | 1x (716-375)<br>170 cm                       |
|                   | 1x (805-169)<br>1x (805-186)<br>2x (855-223) | 1x (805-169)<br>1x (805-186)<br>2x (855-223) | 1x (805-169)<br>1x (805-186)<br>2x (855-223) |
| Lote / Lot        | 02-21  | 02-21  | 02-21  |
| <br>Peso / Weight | 39,00 kg                                     | 39,50 kg                                     | 40,00 kg                                     |



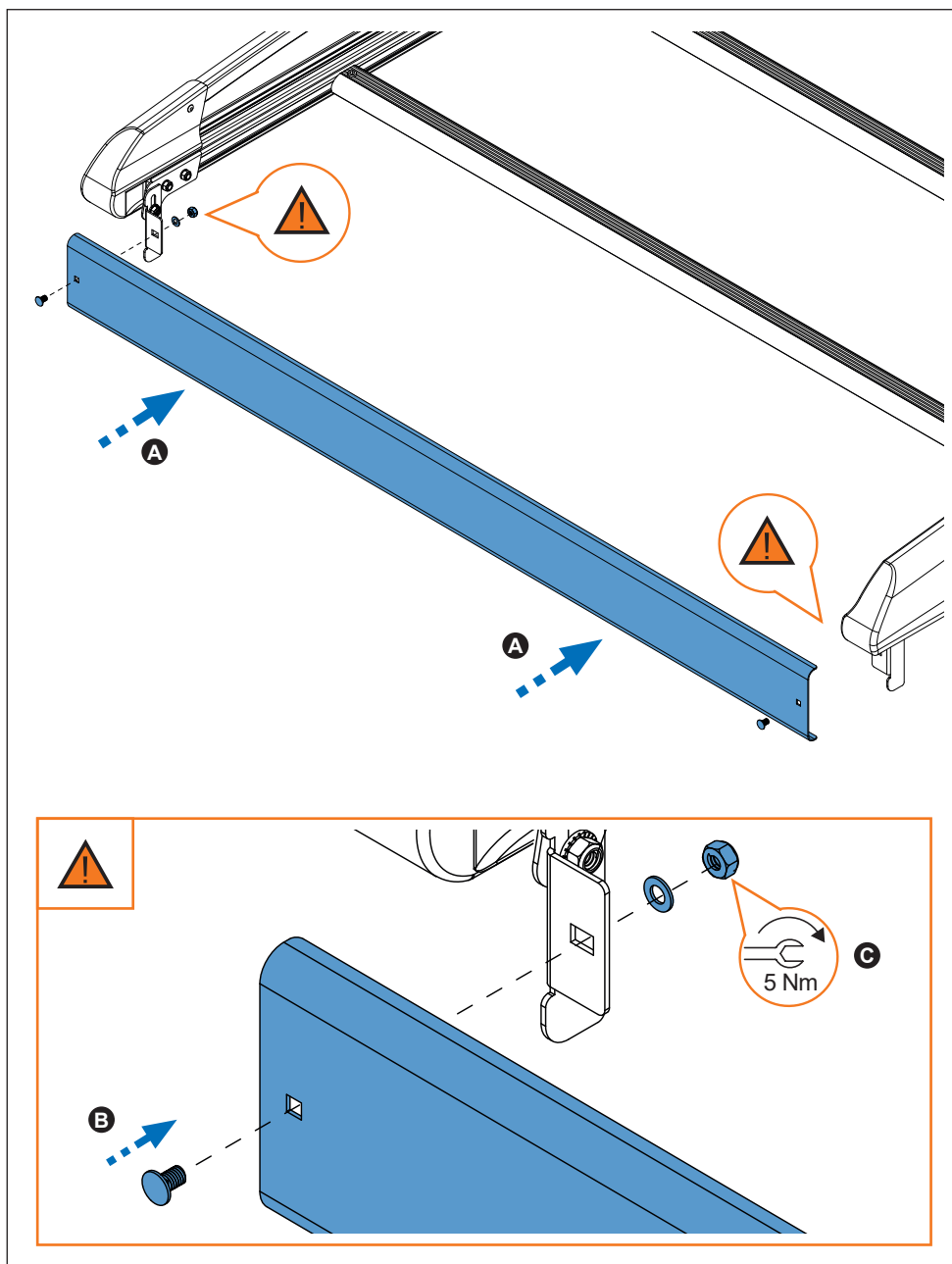
2.



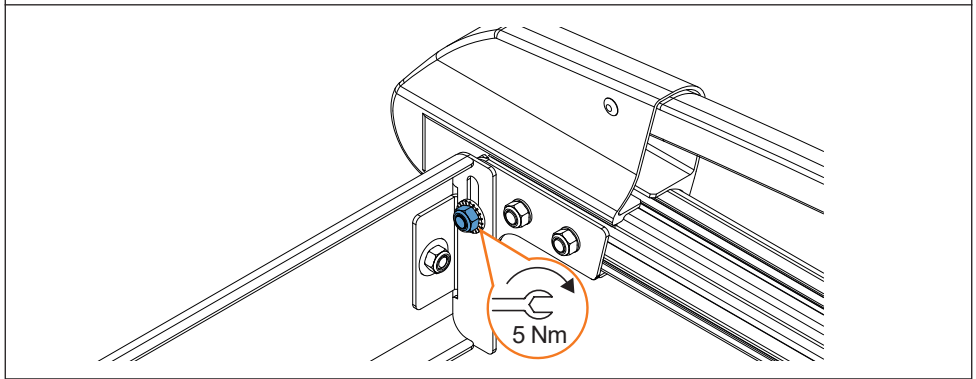
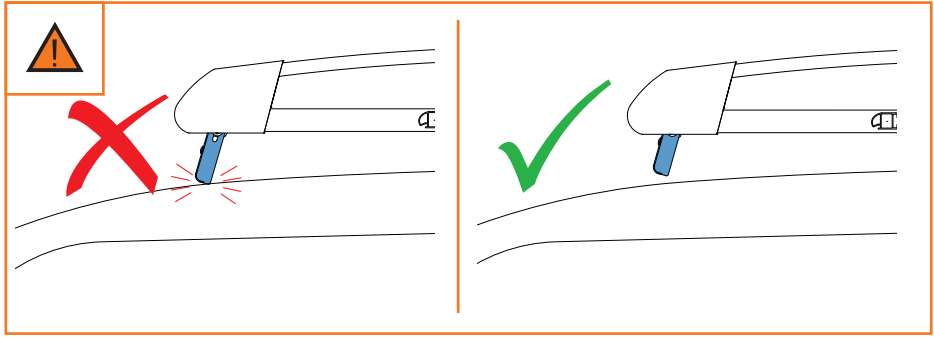
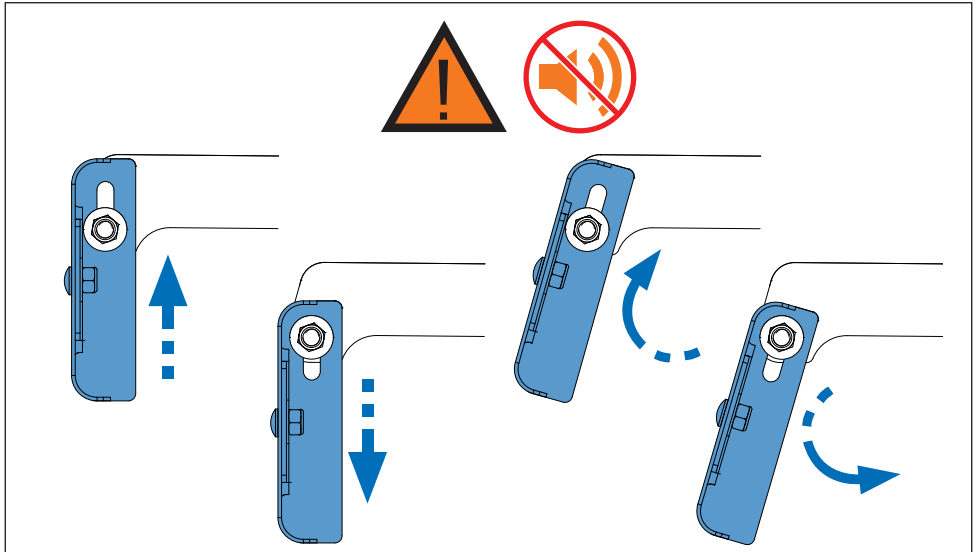
3. 



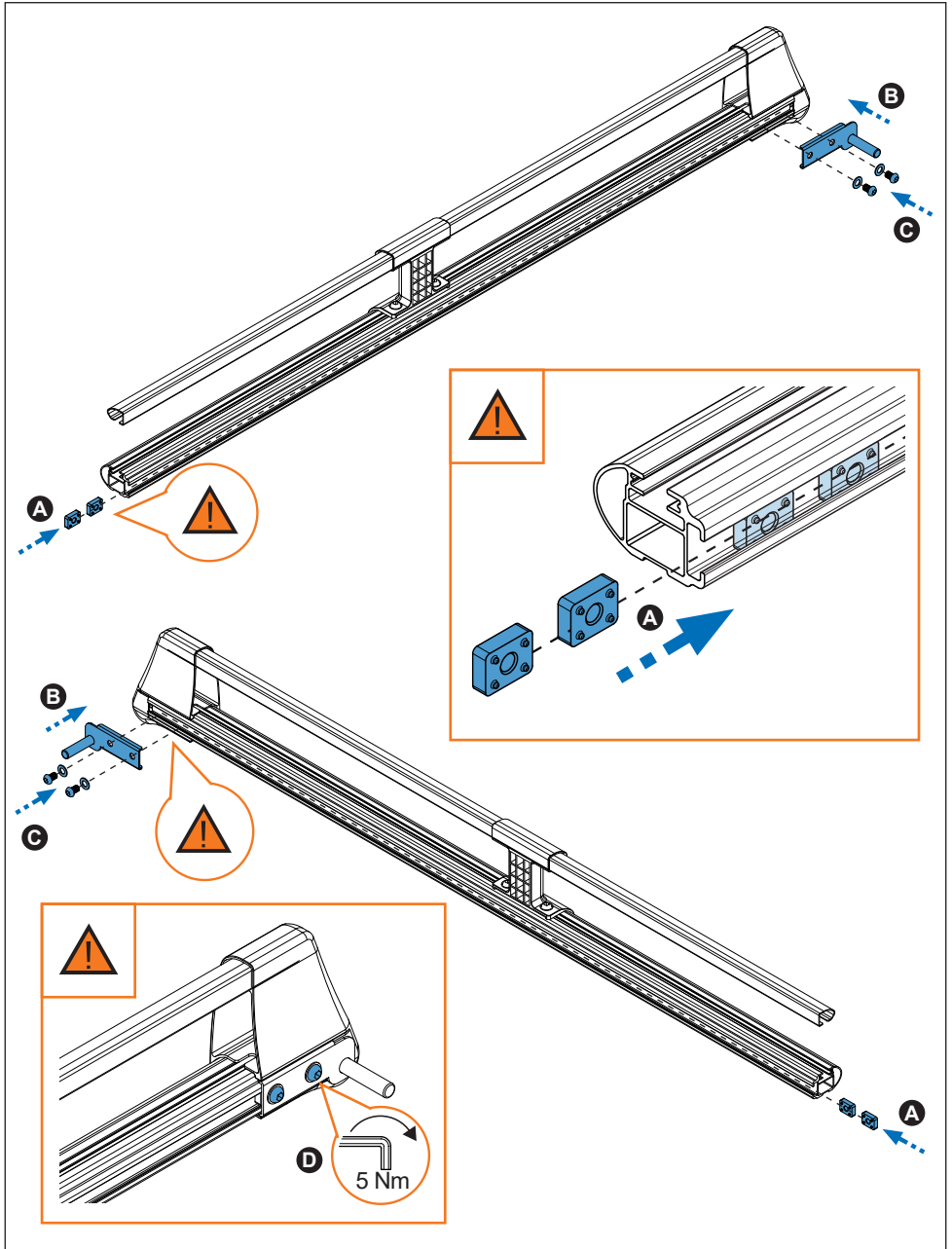
4. 



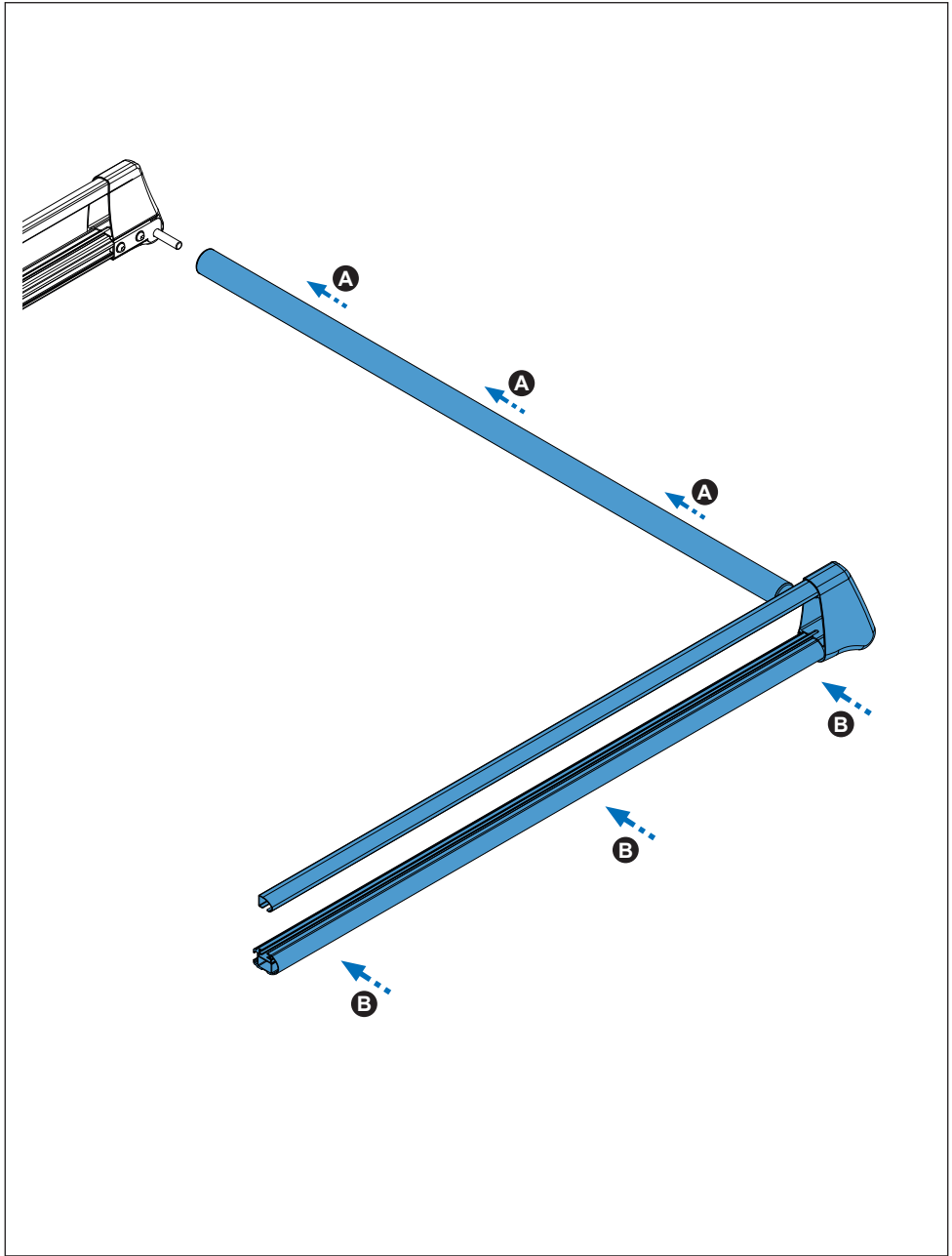
5. 



6. 

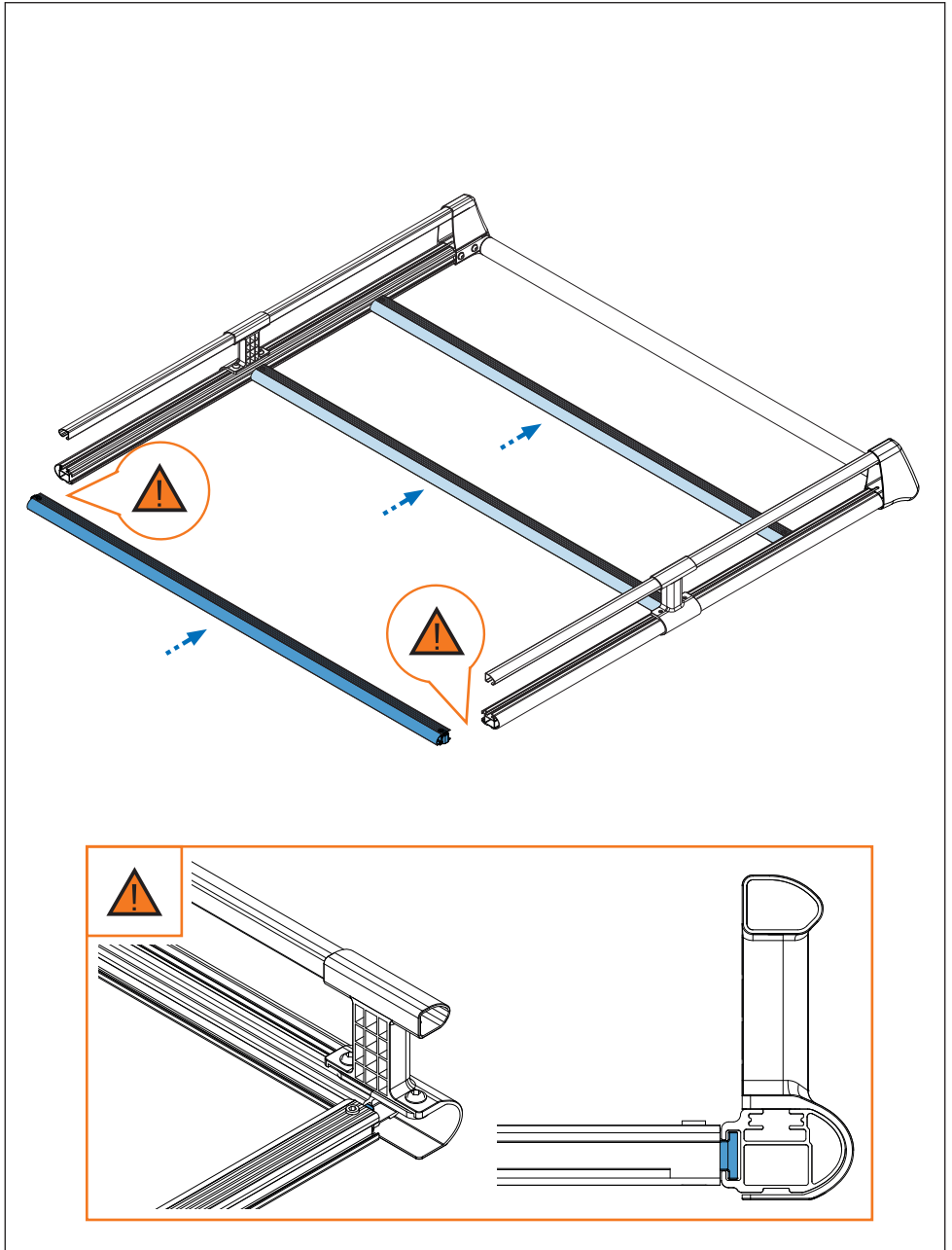


7. 

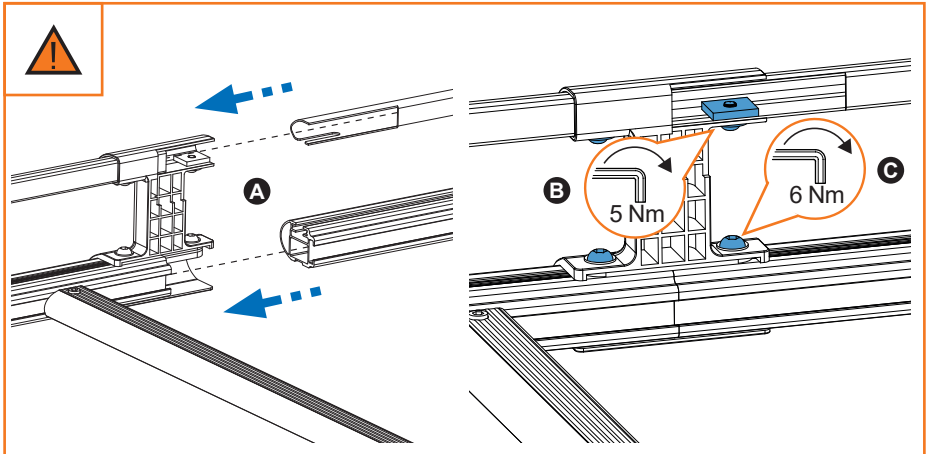
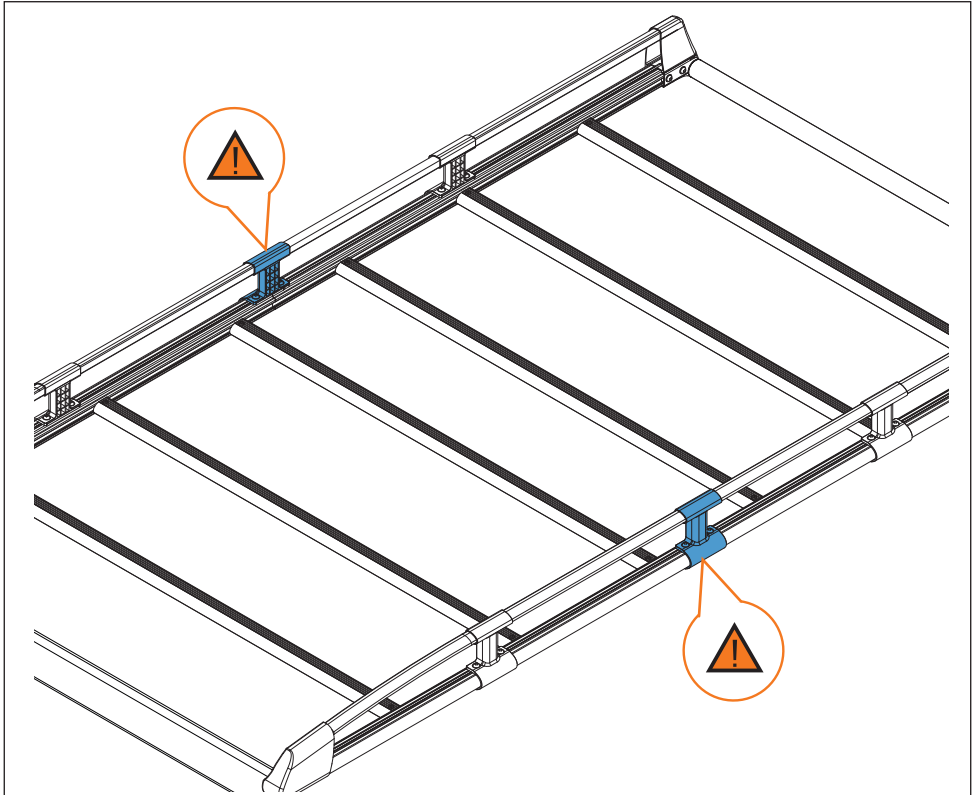




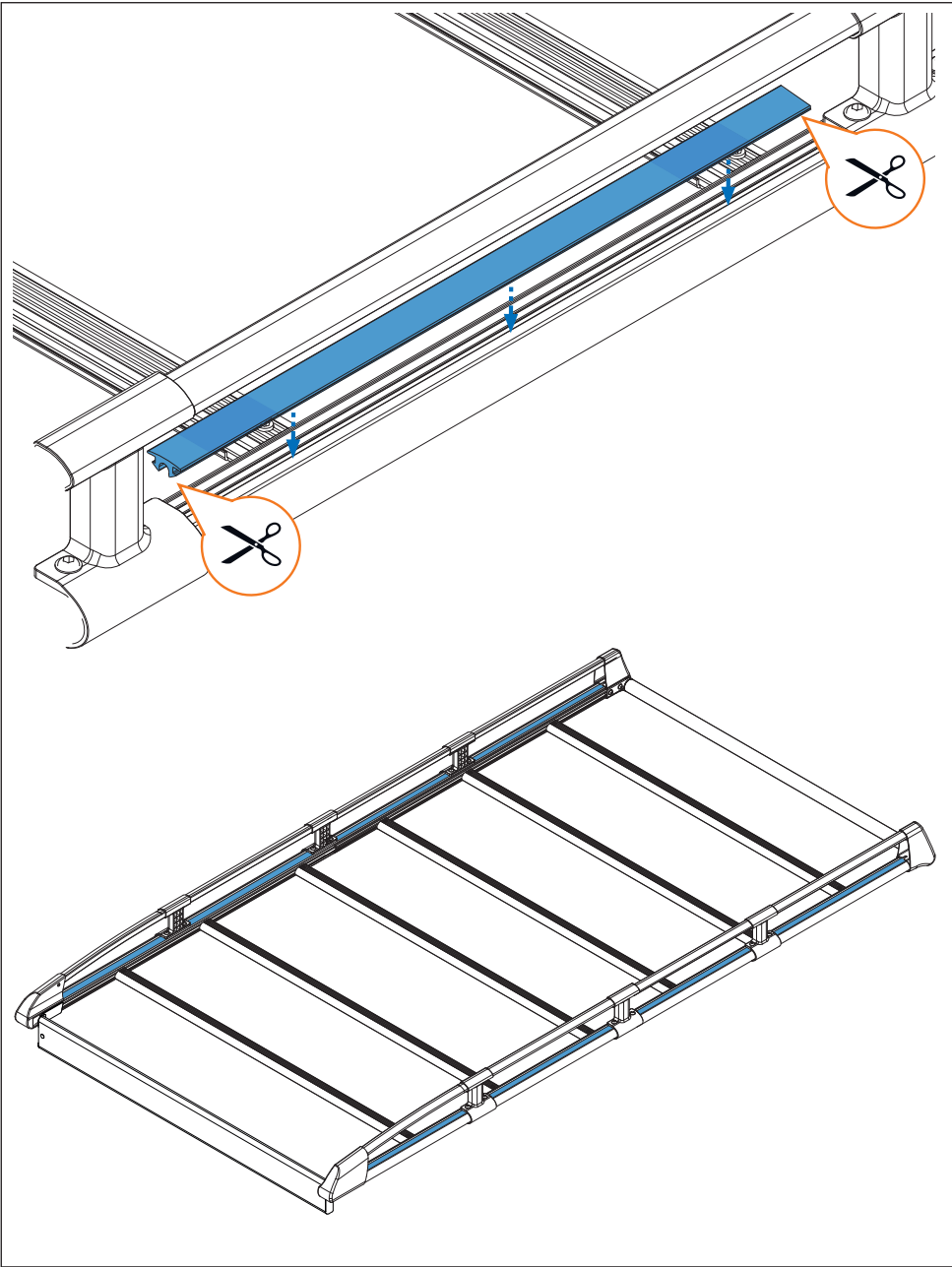
8. 



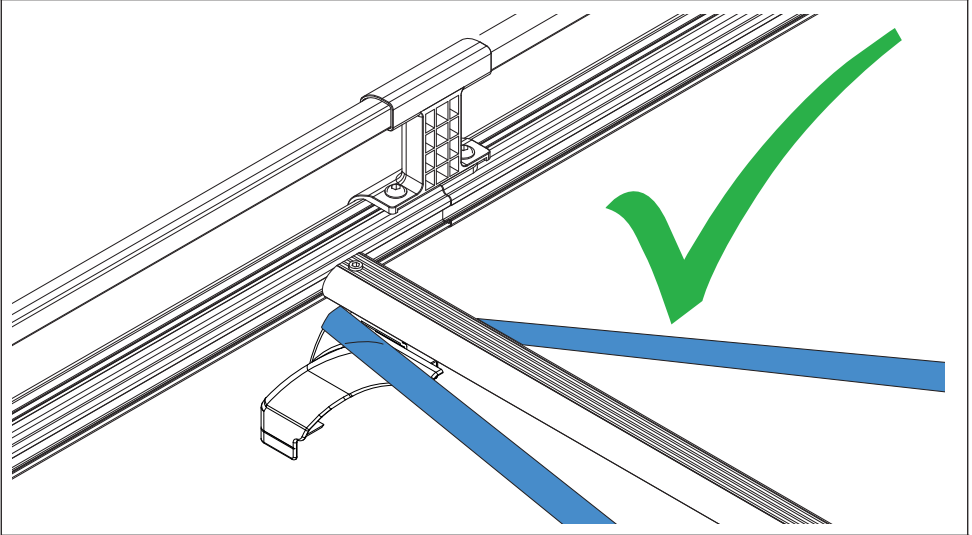
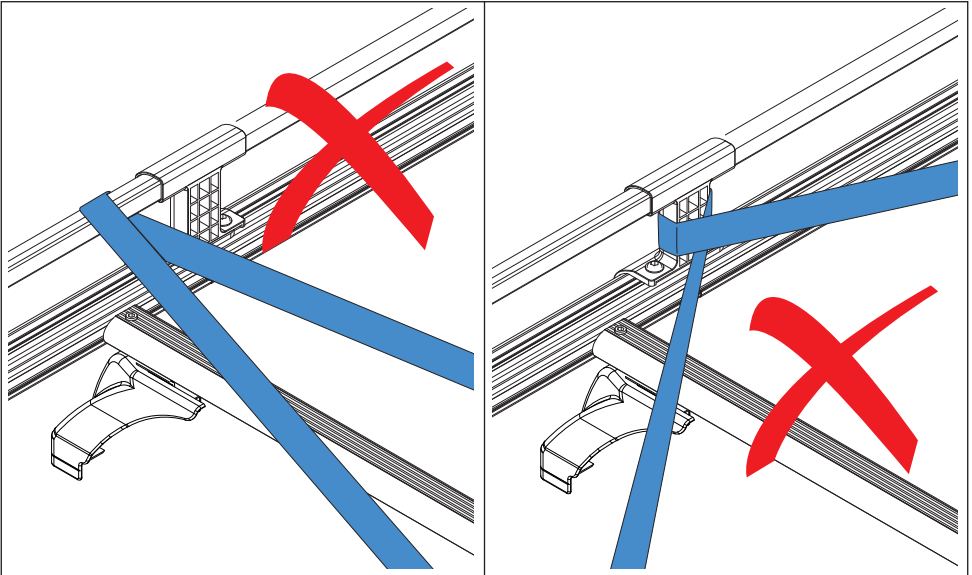
9. 



10.



11.



3

